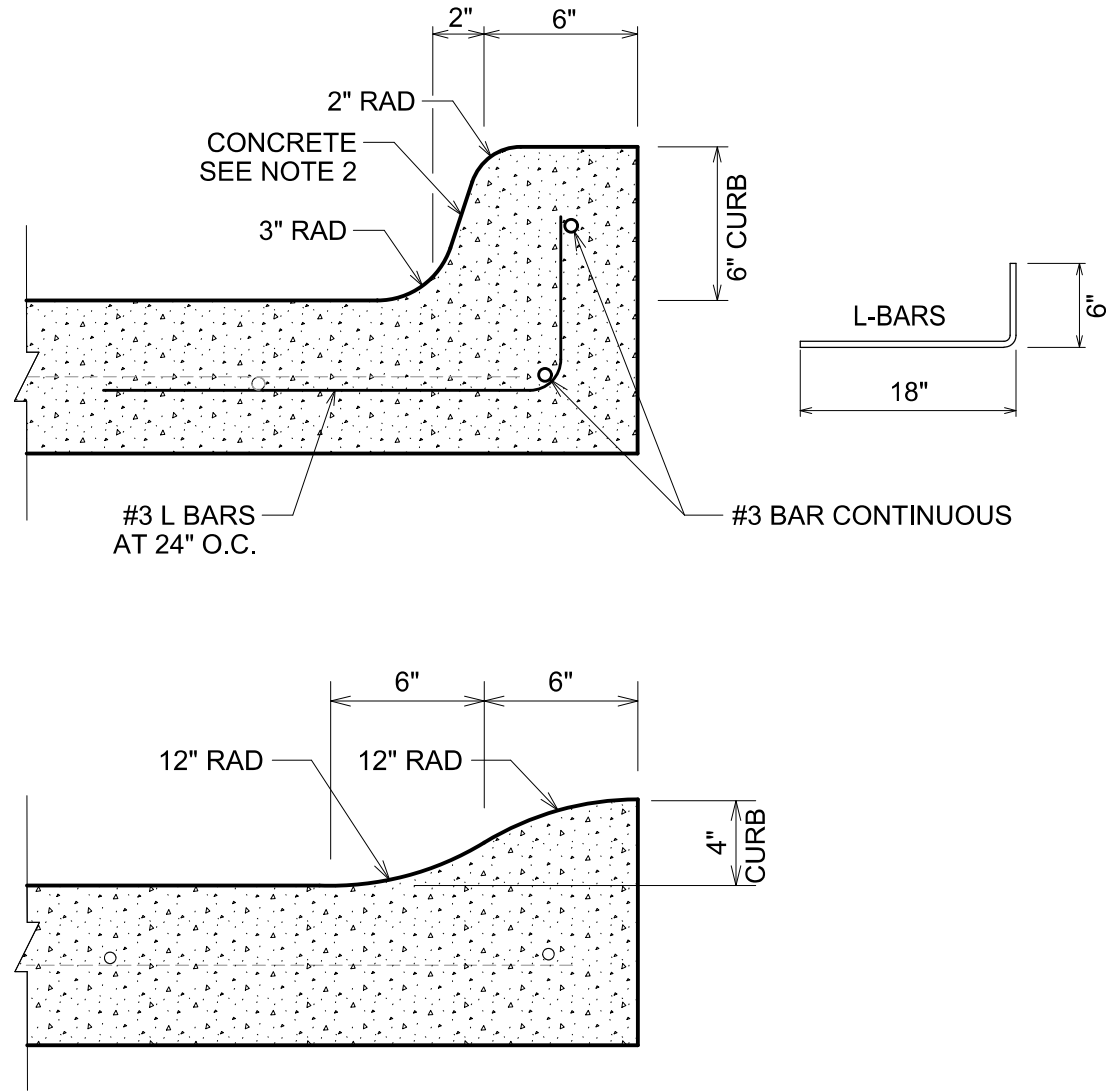


GENERAL NOTES

- CURB SHALL BE PLACED MONOLITHICALLY WITH THE ADJACENT CONCRETE OR CONSTRUCTED AS CURB AND GUTTER.
- CONCRETE SPECIFICATIONS SHALL BE THE SAME AS THOSE FOR THE PAVEMENT.
- THE COMPLETED CONCRETE CURB SHALL NOT VARY FROM THE SHAPE, DIMENSION AND CONTOUR SHOWN ON THE DETAIL BY MORE THAN 1/2" AT ANY POINT ALONG THE CURB. NON-CONFORMING CURB SHALL BE REMOVED AND REPLACED BY A SAW CUTTING 6" IN FRONT OF THE DEFECTIVE CURB, THEN REMOVING AND REPLACING THE ENTIRE DEPTH OF CURB AND PAVEMENT IN THE DEFECTIVE AREA.
- EXPANSION JOINTS IN THE PAVEMENT SHALL EXTEND THROUGH ADJACENT CURB WHEN PLACED MONOLITHICALLY WITH ADJACENT CONCRETE.



City of BRENHAM

6" CONCRETE CURB & 4" CONCRETE CURB

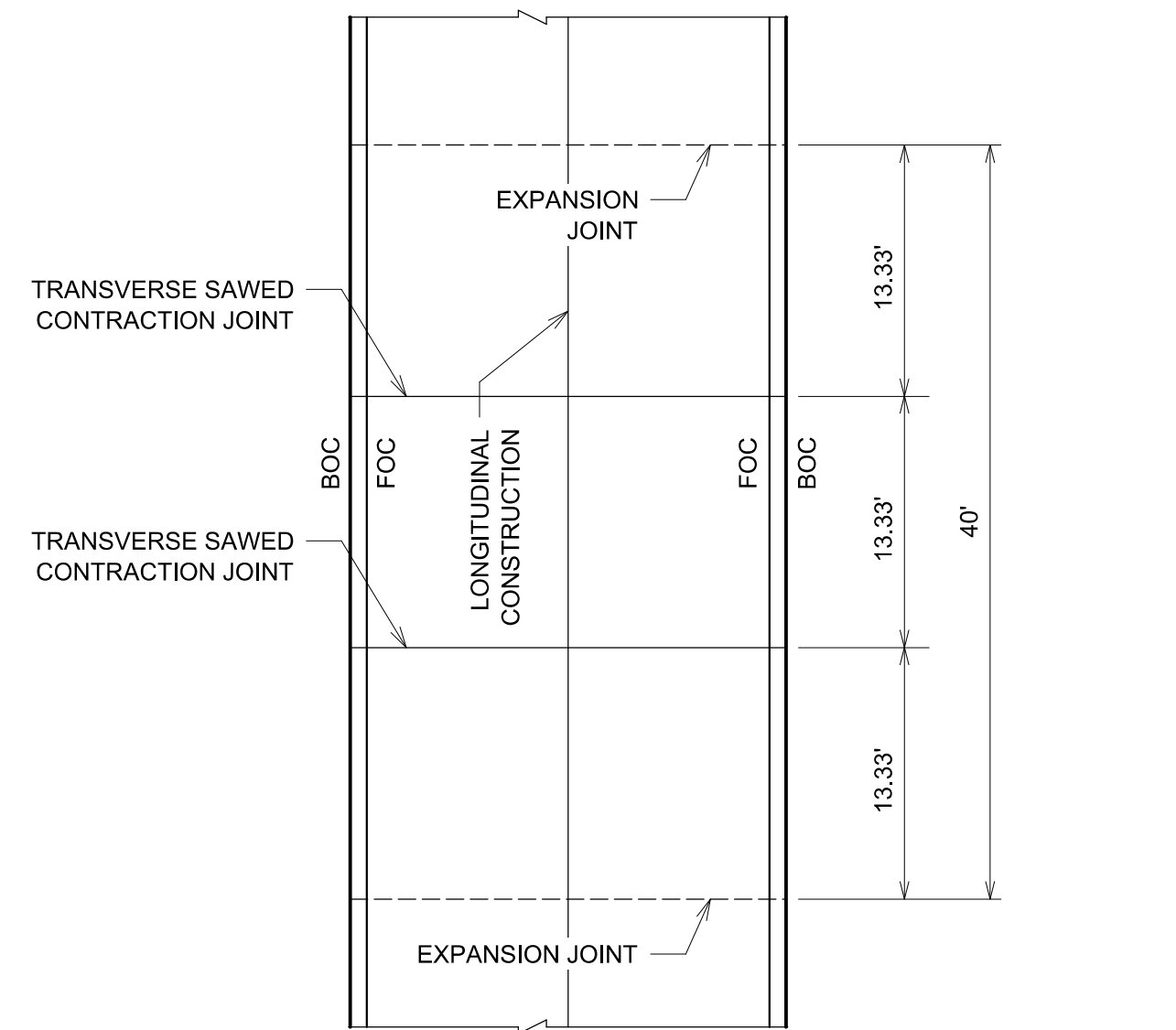
STANDARD CONSTRUCTION DETAILS

DATE: 07/20/21 REVISED DATE: 07/20/21

PAV - 5

GENERAL NOTES

- REINFORCING STEEL SHALL BE #4 BARS @ 18" O.C. TRANSVERSE AND LONGITUDINALLY. GRADE OF REINFORCING STEEL SHALL BE ASTM A615 GRADE 60 IN ACCORDANCE WITH TXDOT ITEM 440.



City of BRENHAM

CONCRETE JOINT LAYOUT (LOCAL STREET)

STANDARD CONSTRUCTION DETAILS

DATE: 07/20/21 REVISED DATE: 07/20/21

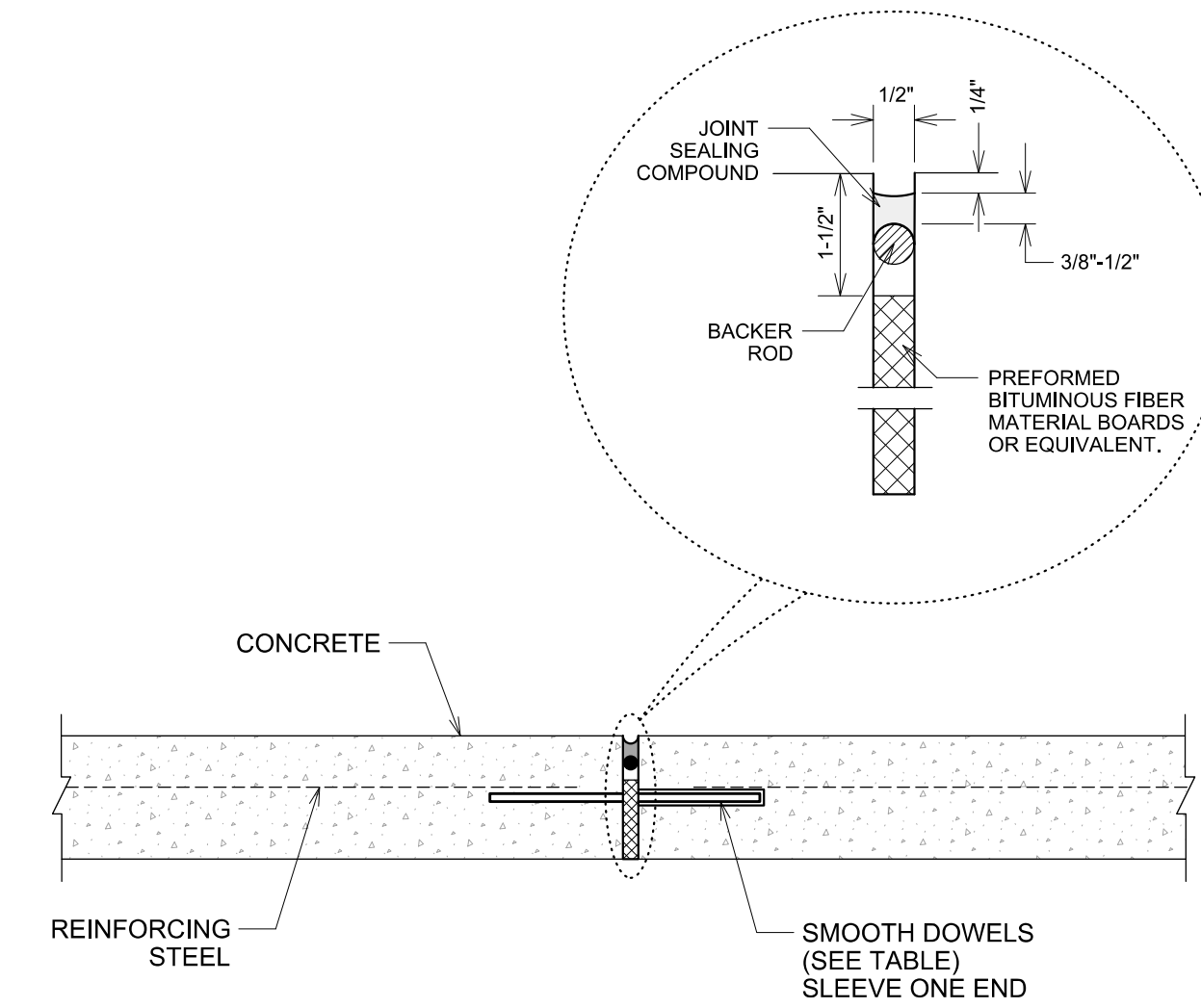
PAV - 6

GENERAL NOTES

- PAVEMENT JOINTS SHALL BE CLEANED AND SEALED IN ACCORDANCE WITH TXDOT ITEM 438, CLEANING AND SEALING JOINTS.
- JOINT SEALANT SHALL BE CLASS 8, SILICONE OR POLYURETHANE (ASTM D5893 TYPE SL)

DOWEL BAR TABLE

CONCRETE THICKNESS	DOWEL DIAMETER	DOWEL LENGTH	DOWEL SPACING
6"	3/4"	24"	12"
7"	7/8"	24"	12"
8"	1"	24"	12"



City of BRENHAM

EXPANSION JOINT

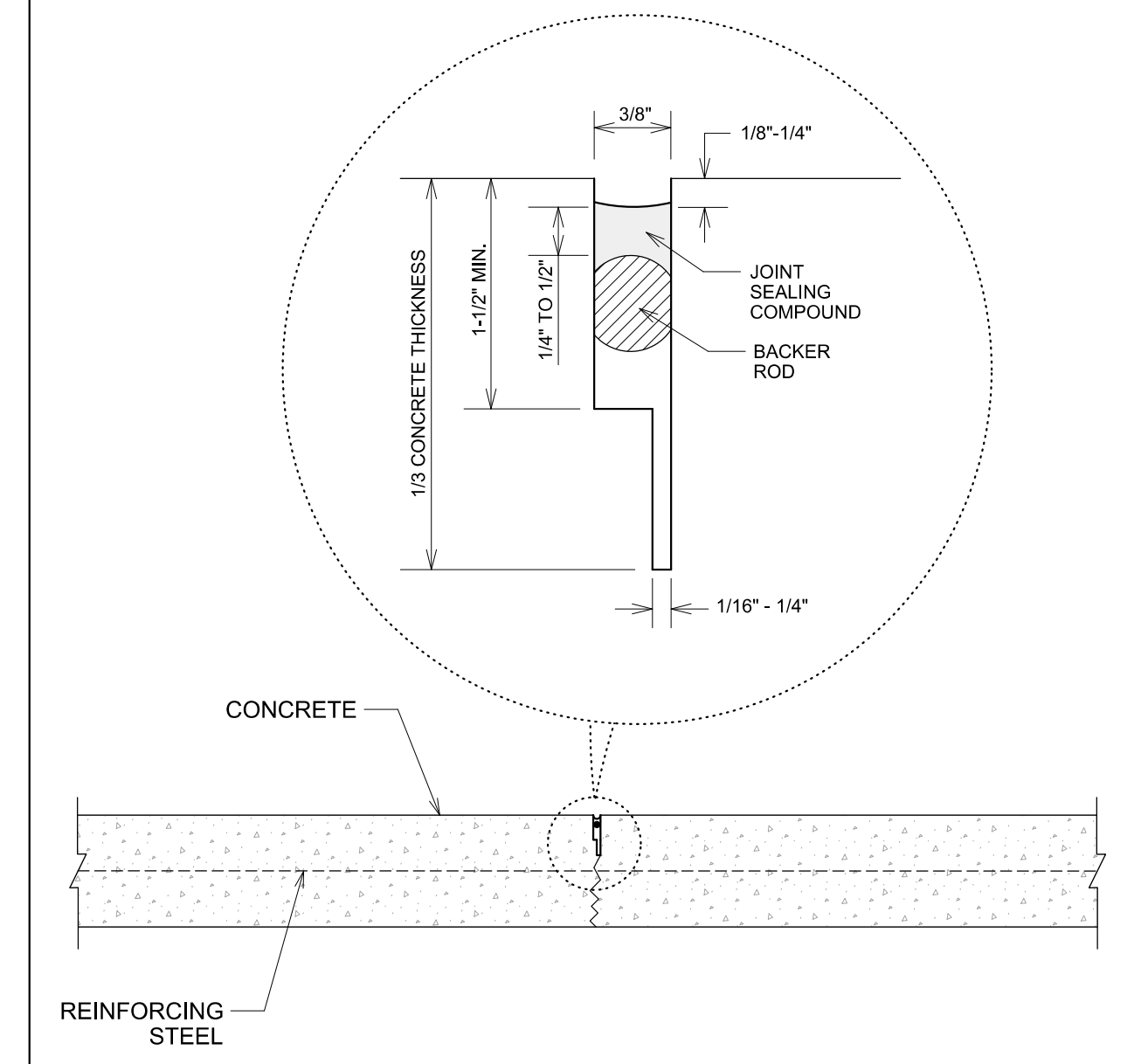
STANDARD CONSTRUCTION DETAILS

DATE: 07/20/21 REVISED DATE: 07/20/21

PAV - 7

GENERAL NOTES

- PAVEMENT JOINTS SHALL BE CLEANED AND SEALED IN ACCORDANCE WITH TXDOT ITEM 438, CLEANING AND SEALING JOINTS.
- JOINT SEALANT SHALL BE CLASS 8, SILICONE OR POLYURETHANE (ASTM D5893 TYPE SL)



City of BRENHAM

SAWED & SEALED CONTRACTION JOINT

STANDARD CONSTRUCTION DETAILS

DATE: 07/20/21 REVISED DATE: 07/20/21

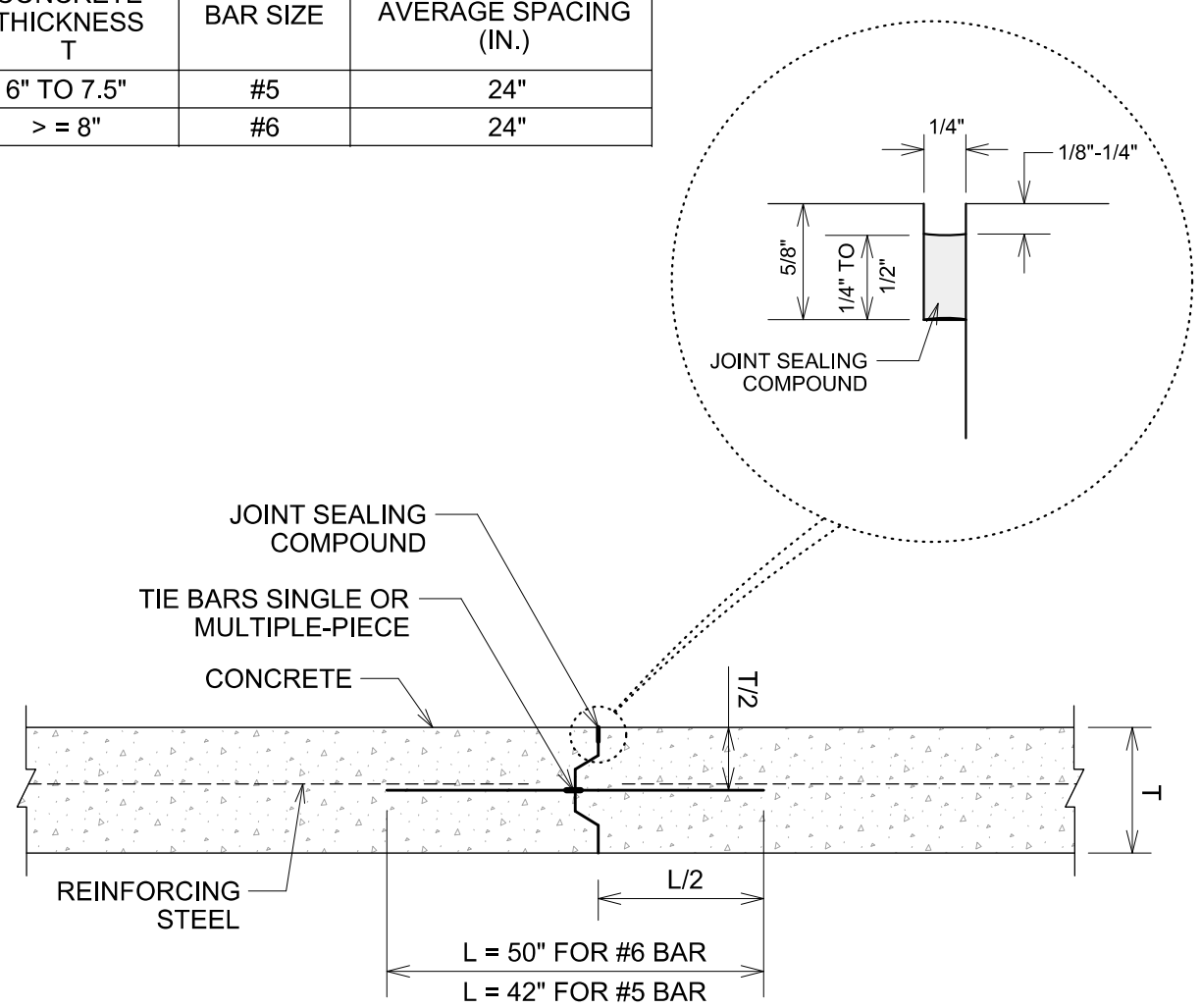
PAV - 8

GENERAL NOTES

- PAVEMENT JOINTS SHALL BE CLEANED AND SEALED IN ACCORDANCE WITH TXDOT ITEM 438, CLEANING AND SEALING JOINTS.
- JOINT SEALANT SHALL BE CLASS 8, SILICONE OR POLYURETHANE (ASTM D5893 TYPE SL)

TABLE TIE BARS (DEFORMED BARS)

CONCRETE THICKNESS T	BAR SIZE	AVERAGE SPACING (IN.)
6" TO 7.5"	#5	24"
> = 8"	#6	24"



City of BRENHAM

METAL KEYWAY CONSTRUCTION JOINT

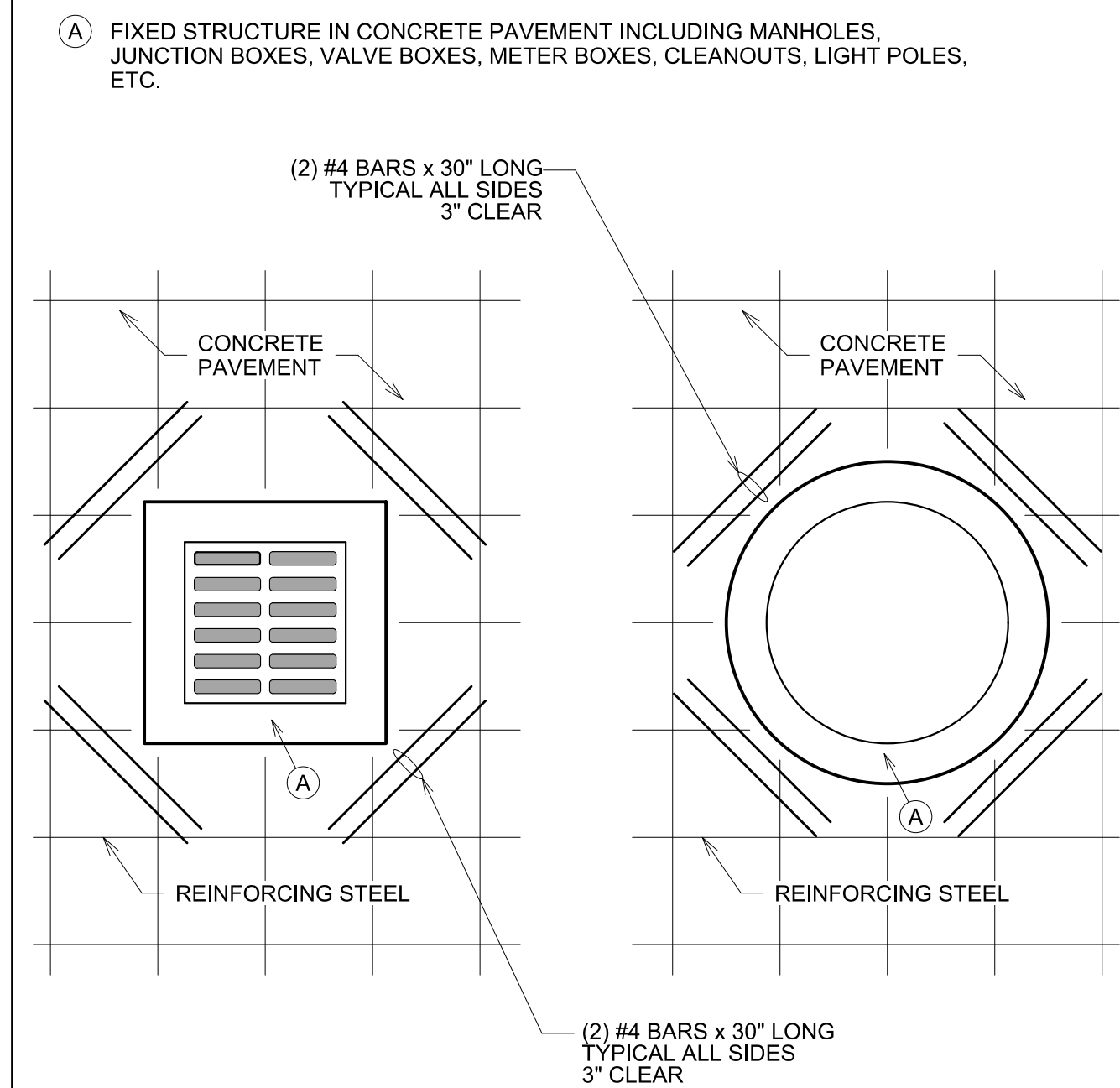
STANDARD CONSTRUCTION DETAILS

DATE: 07/20/21 REVISED DATE: 07/20/21

PAV - 9

GENERAL NOTES

- REFER TO THE APPROPRIATE PAVEMENT OR SIDEWALK DETAIL FOR STRUCTURAL REQUIREMENTS.



City of BRENHAM

FIXED STRUCTURE REINFORCEMENT

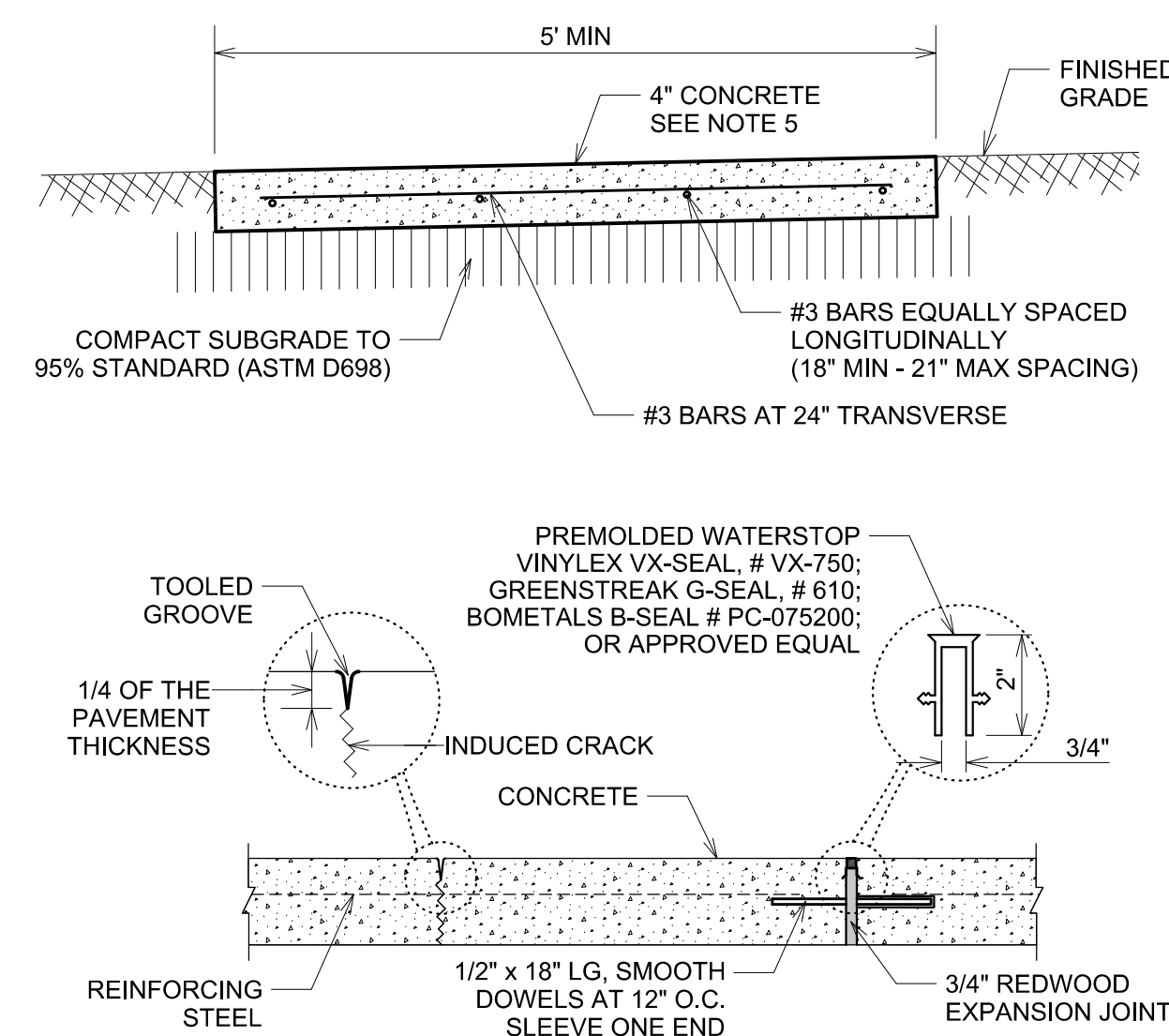
STANDARD CONSTRUCTION DETAILS

DATE: 07/20/21 REVISED DATE: 07/20/21

PAV - 10

GENERAL NOTES

- REINFORCING STEEL SHALL BE ASTM A615 GRADE 60 IN ACCORDANCE WITH TXDOT ITEM 440.
- EXPANSION JOINTS SHALL BE LOCATED AT DRIVEWAYS AND OTHER FIXED OBJECTS AND AT 40' MAXIMUM INTERVALS ALONG THE SIDEWALK.
- TOOLED CONTRACTION JOINTS SHALL BE LOCATED AT REGULAR INTERVALS EQUAL TO THE WIDTH OF THE SIDEWALK.
- CONCRETE SHALL MEET THE REQUIREMENTS OF TXDOT ITEM 421 - HYDRAULIC CEMENT CONCRETE, CLASS A, 3,000 PSI.
- SIDEWALKS SHALL BE SLOPED IN ACCORDANCE WITH TEXAS ACCESSIBILITY STANDARDS.
- ALL REBAR TO BE SET ON BAR CHAIRS. PLASTIC OR METAL BAR CHAIRS ARE ACCEPTABLE; NO BRICKS, BROKEN CONCRETE, ROCKS, ETC.



City of BRENHAM

CONCRETE SIDEWALK (DETACHED FROM CURB)

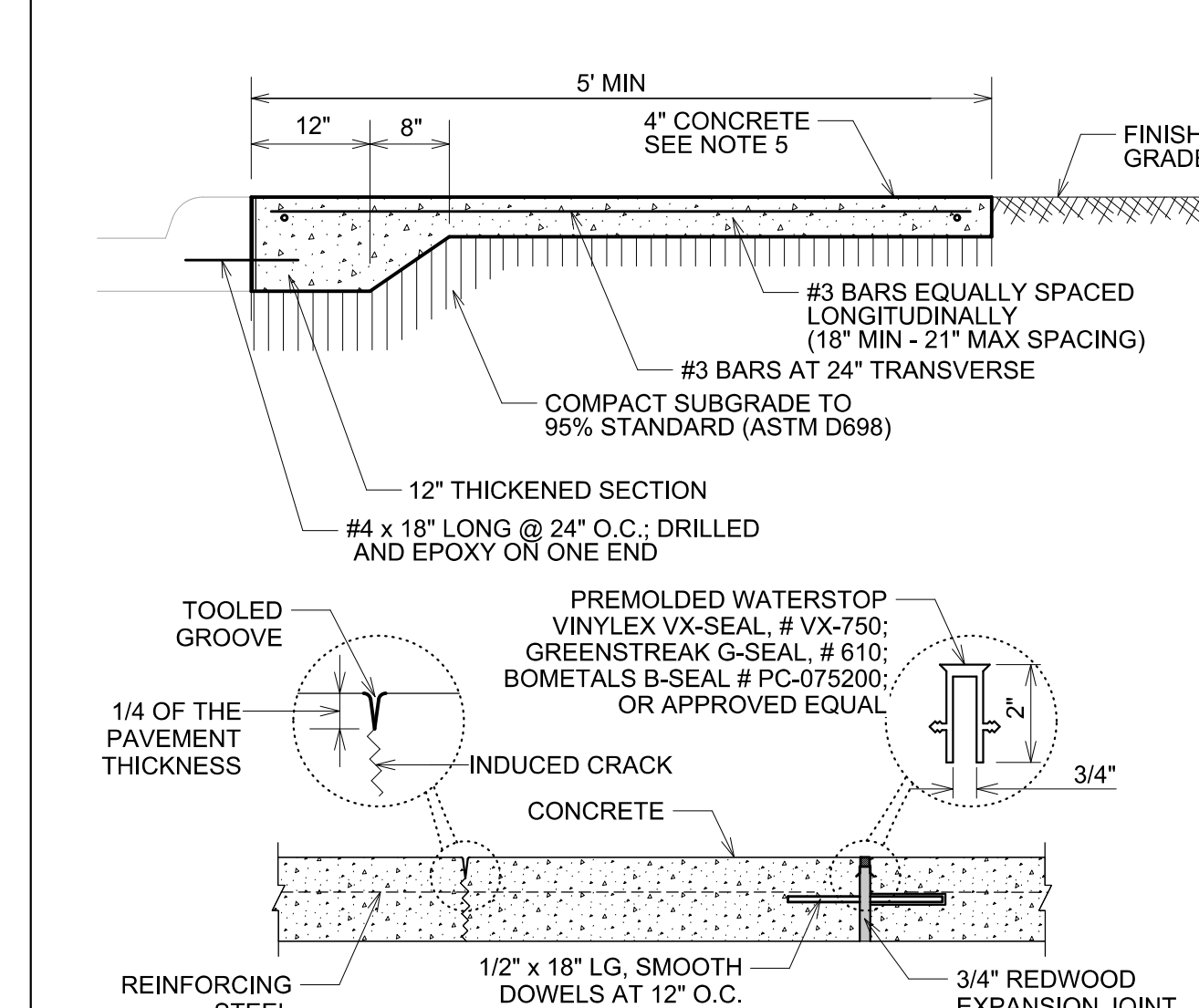
STANDARD CONSTRUCTION DETAILS

DATE: 07/20/21 REVISED DATE: 07/20/21

PAV - 11

GENERAL NOTES

- REINFORCING STEEL SHALL BE ASTM A615 GRADE 60 IN ACCORDANCE WITH TXDOT ITEM 440.
- EXPANSION JOINTS SHALL BE LOCATED AT DRIVEWAYS AND OTHER FIXED OBJECTS AND AT 40' MAXIMUM INTERVALS ALONG THE SIDEWALK.
- TOOLED CONTRACTION JOINTS SHALL BE LOCATED AT REGULAR INTERVALS EQUAL TO THE WIDTH OF THE SIDEWALK.
- CONCRETE SHALL MEET THE REQUIREMENTS OF TXDOT ITEM 421 - HYDRAULIC CEMENT CONCRETE, CLASS A, 3,000 PSI.
- SIDEWALKS SHALL BE SLOPED IN ACCORDANCE WITH TEXAS ACCESSIBILITY STANDARDS.
- ALL REBAR TO BE SET ON BAR CHAIRS. PLASTIC OR METAL BAR CHAIRS ARE ACCEPTABLE; NO BRICKS, BROKEN CONCRETE, ROCKS, ETC.



City of BRENHAM

CONCRETE SIDEWALK (ATTACHED TO CURB)

STANDARD CONSTRUCTION DETAILS

DATE: 07/20/21 REVISED DATE: 07/20/21

PAV - 12