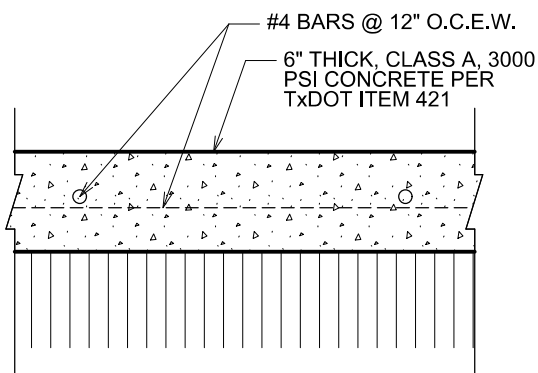
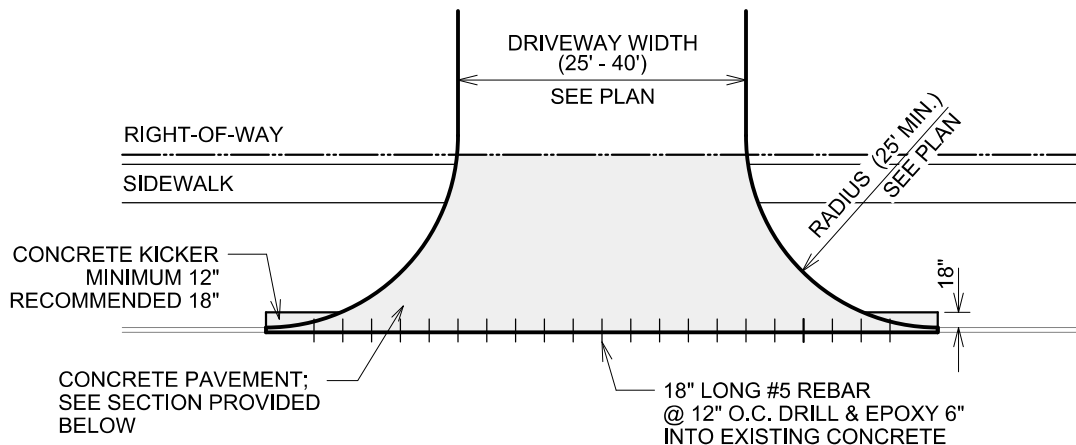
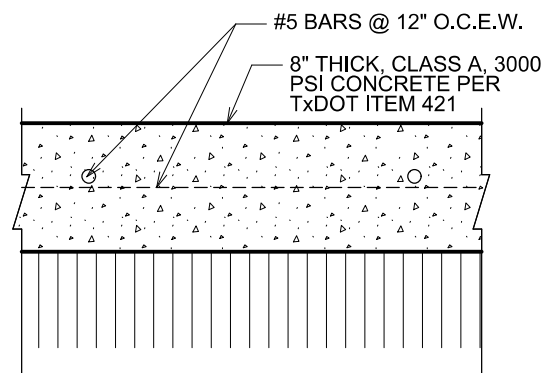


GENERAL NOTES

1. USE CONSTRUCTION JOINT DETAIL IF JOINING TO EXISTING CONCRETE DRIVEWAY. USE EXPANSION JOINT DETAIL AT RIGHT-OF-WAY LINE.
2. GRADE OF REINFORCING STEEL SHALL BE ASTM A615 GRADE 60 IN ACCORDANCE WITH TxDOT ITEM 440.
3. ALL REBAR TO BE SET ON BAR CHAIRS. PLASTIC OR METAL BAR CHAIRS ARE ACCEPTABLE; NO BRICKS, BROKEN CONCRETE, ROCKS, ETC.
4. SUBGRADE SHALL BE COMPACTED TO 90% STANDARD PROCTOR.
5. SEE PAV - 15 FOR DRIVEWAY PROFILE REQUIREMENTS.



CONCRETE PAVEMENT FOR
MULTI-FAMILY RESIDENTIAL AND
COMMERCIAL



CONCRETE PAVEMENT FOR
INDUSTRIAL



MULTI-FAMILY
RESIDENTIAL AND
NON-RESIDENTIAL
DRIVEWAY

STANDARD CONSTRUCTION DETAILS

DATE: 07/20/21

REVISED
DATE: 07/20/21

PAV - 14