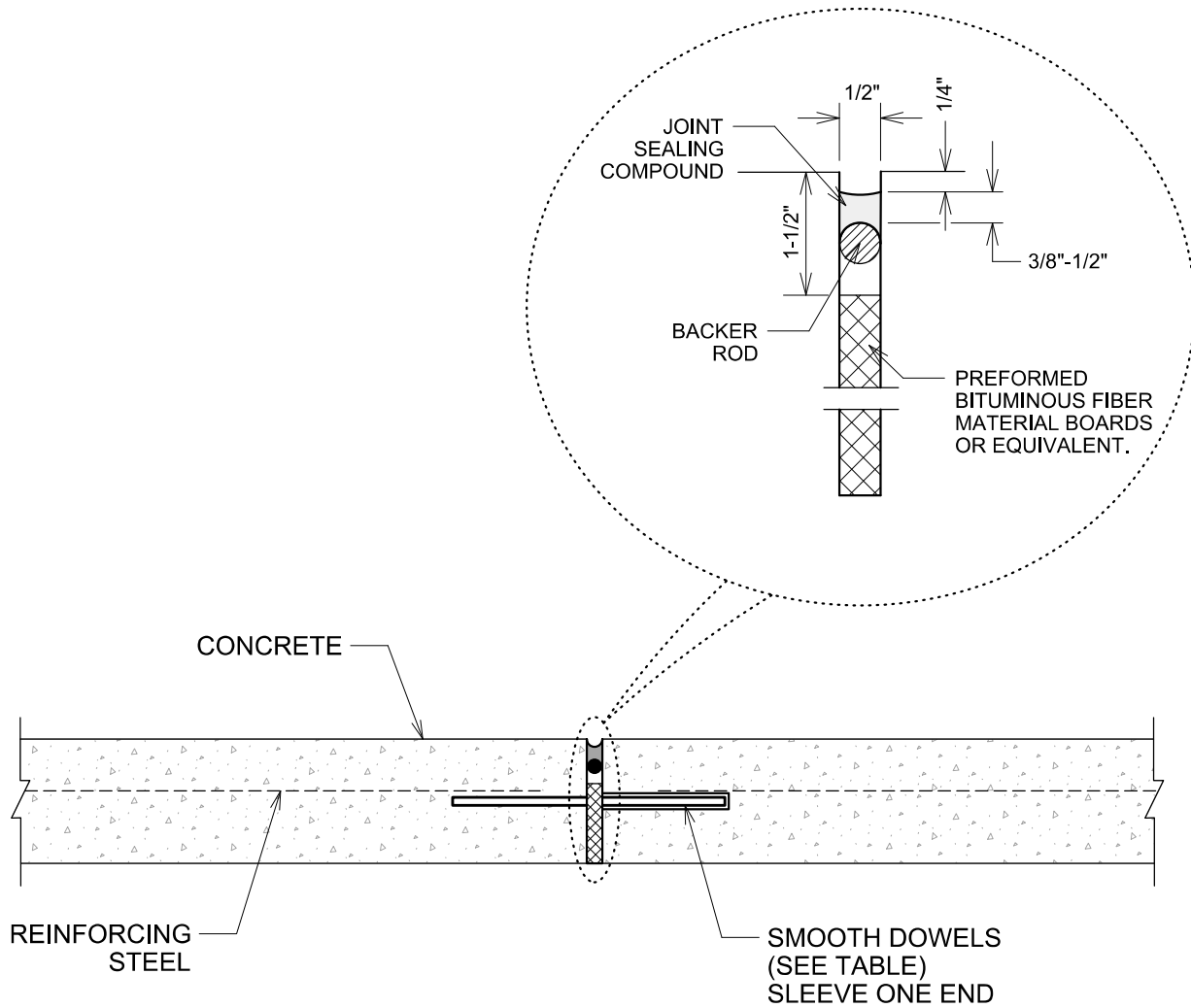


## GENERAL NOTES

1. PAVEMENT JOINTS SHALL BE CLEANED AND SEALED IN ACCORDANCE WITH TXDOT ITEM 438, CLEANING AND SEALING JOINTS.
2. JOINT SEALANT SHALL BE CLASS 8, SILICONE OR POLYURETHANE (ASTM D5893 TYPE SL)

DOWEL BAR TABLE			
CONCRETE THICKNESS	DOWEL DIAMETER	DOWEL LENGTH	DOWEL SPACING
6"	3/4"	24"	12"
7"	7/8"	24"	12"
8"	1"	24"	12"



EXPANSION JOINT

STANDARD CONSTRUCTION DETAILS

DATE: 07/20/21

REVISED  
DATE: 07/20/21

PAV - 7