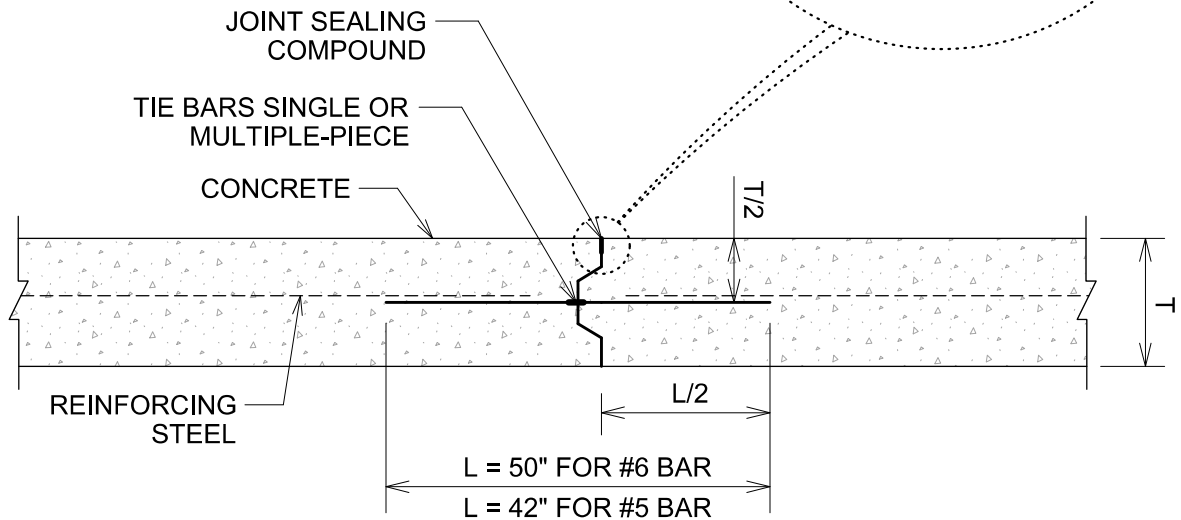
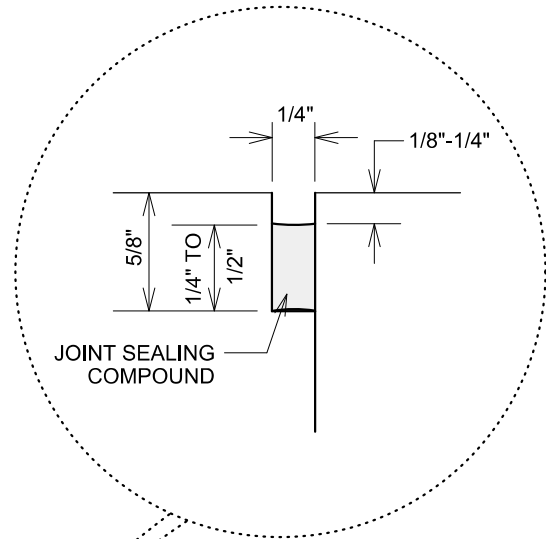


GENERAL NOTES

1. PAVEMENT JOINTS SHALL BE CLEANED AND SEALED IN ACCORDANCE WITH TXDOT ITEM 438, CLEANING AND SEALING JOINTS.
2. JOINT SEALANT SHALL BE CLASS 8, SILICONE OR POLYURETHANE (ASTM D5893 TYPE SL)

TABLE TIE BARS (DEFORMED BARS)

CONCRETE THICKNESS T	BAR SIZE	AVERAGE SPACING (IN.)
6" TO 7.5"	#5	24"
> = 8"	#6	24"



METAL KEYWAY CONSTRUCTION JOINT

STANDARD CONSTRUCTION DETAILS

DATE: 07/20/21

REVISED
DATE: 07/20/21

PAV - 9