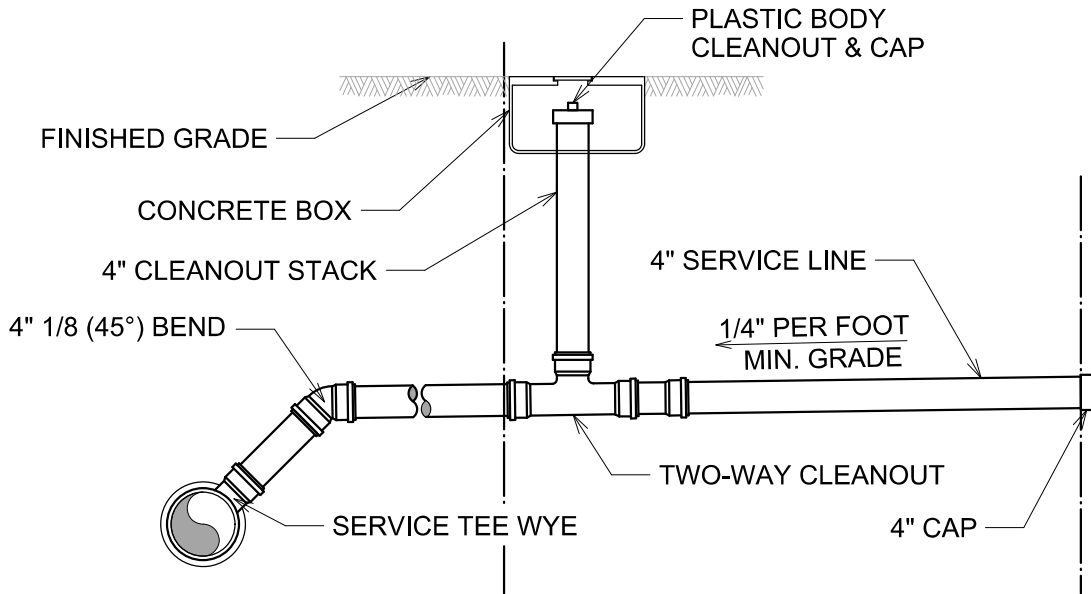
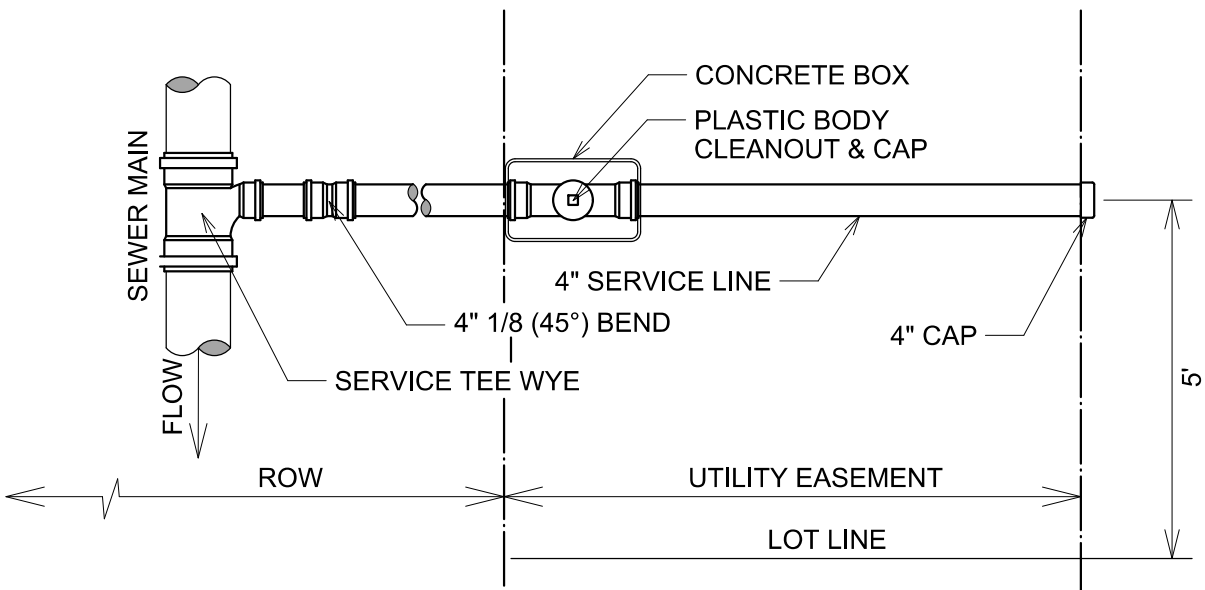


GENERAL NOTES

1. SANITARY SEWER SERVICE LATERAL AND FITTINGS SHALL BE PVC - SDR 35.
2. SEWER SERVICE LEADS SHALL NOT EXCEED 125' IN LENGTH.
3. SINGLE-FAMILY RESIDENTIAL SERVICES SHOULD BE INSTALLED AT A MANHOLE WHEN POSSIBLE
4. MULTI-FAMILY RESIDENTIAL, COMMERCIAL AND OFFICE DEVELOPMENT SERVICES SHALL BE MADE AT A MANHOLE.
5. "Y" ETCHED MARK ON CURB AT SERVICE LOCATION.



ELEVATION VIEW



PLAN VIEW



SANITARY SEWER SERVICE DETAIL (SINGLE)

STANDARD CONSTRUCTION DETAILS

DATE: 07/20/21

REVISED
DATE: 10/05/21

SAN - 3