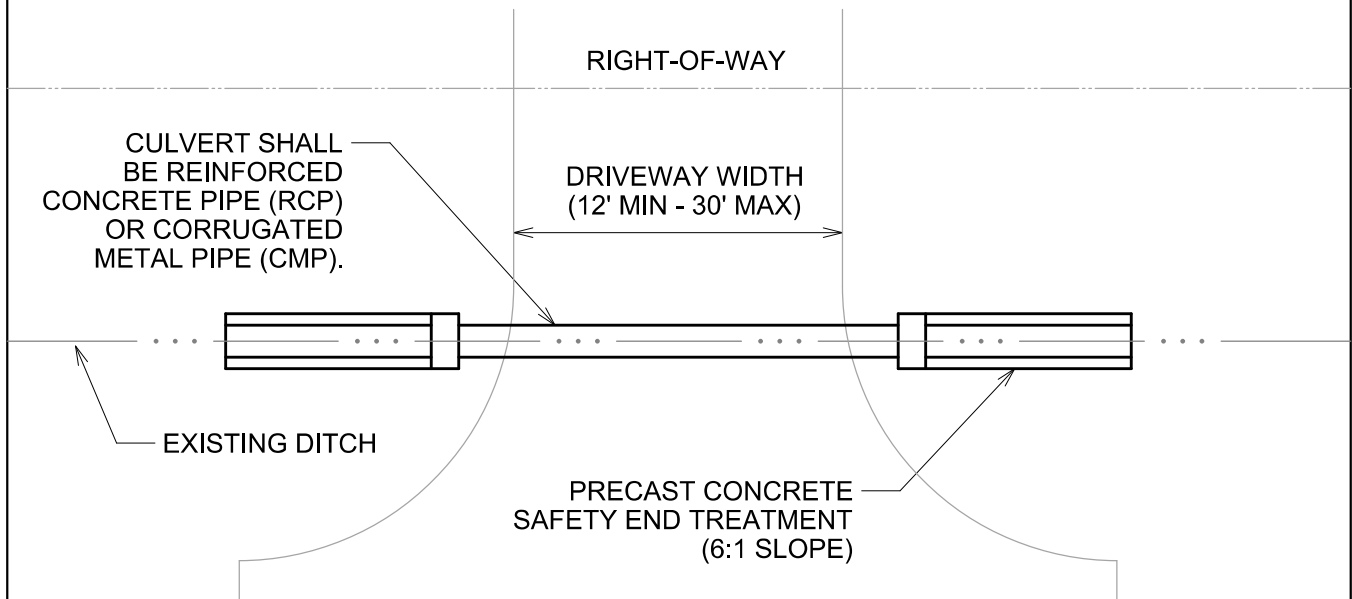


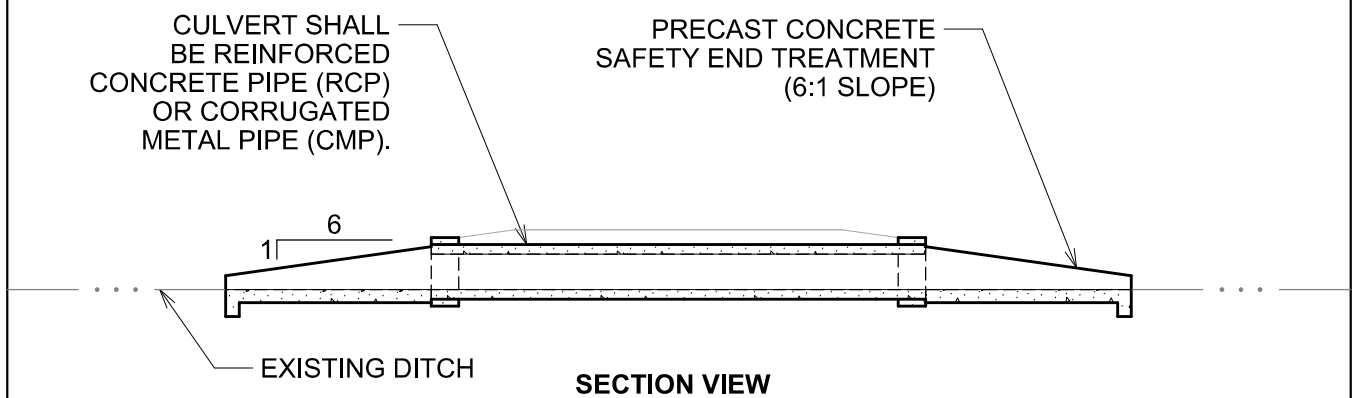
GENERAL NOTES

1. ADDITIONAL REQUIREMENTS APPLY FOR DRIVEWAYS ON TXDOT OWNED ROADWAYS.
2. BACKFILL WITH CEMENT STABILIZED SAND. CEMENT STABILIZED SAND SHALL CONTAIN A MINIMUM OF 1.5 SACKS OF CEMENT PER CUBIC YARD. SAND SHALL BE SP, SW OR SM PER USC (ASTM D2487) AND SHALL HAVE THE FOLLOWING PROPERTIES: LESS THAN 15% PASSING #200 SIEVE; LESS THAN 2% CLAY LUMPS; PI <7; LL <25. COMPACT BY VIBRATORY EQUIPMENT TO 95% STANDARD (ASTM D558)
3. SET UPSTREAM AND DOWNSTREAM FLOW LINES TO MATCH EXISTING DITCH GRADE.
4. AFTER EXCAVATION AND PRIOR TO SETTING PIPE, CONTACT CITY TO INSPECT AND VERIFY FINAL ELEVATIONS.



EXISTING ROAD

PLAN VIEW



SECTION VIEW



RESIDENTIAL DRIVEWAY
CULVERT

STANDARD CONSTRUCTION DETAILS

DATE: 07/20/21

REVISED
DATE: 10/07/21

STM - 5