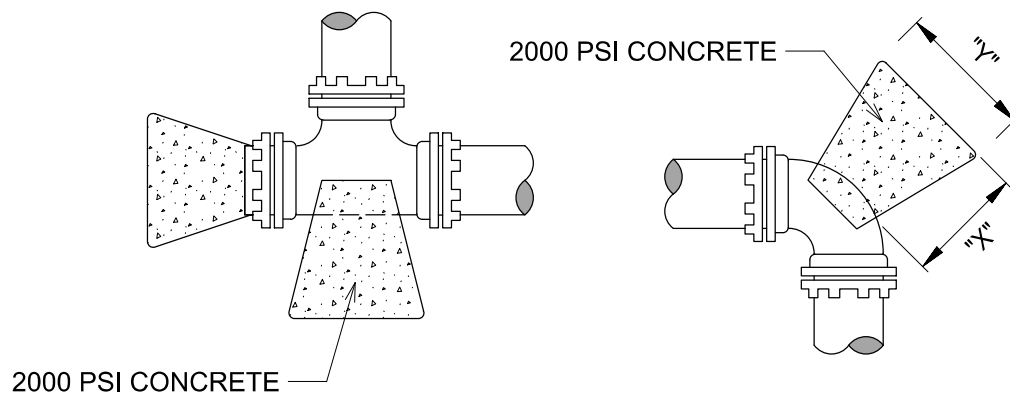


GENERAL NOTES

1. FITTINGS SHALL BE DUCTILE-IRON COMPACT FITTINGS 4-INCH TO 12-INCH, AWWA C1 53/A21. 53.84, CONFORMING TO THE MINIMUM REQUIREMENTS OF "GRAY-IRON AND DUCTILE IRON FITTINGS, 12-INCH THROUGH 48-INCH, FOR WATER AND OTHER LIQUIDS", AWWA C153 (ANSI 21.10), CURRENT REVISION. FITTINGS SHALL BE FURNISHED WITH EPOXY OR CEMENT MORTAR LINED, AWWA C104 (ANSI A21.4).
2. POLYETHYLENE ENCASEMENT SHALL CONFORM WITH THE MINIMUM REQUIREMENTS OF "POLYETHYLENE ENCASEMENT FOR GRAY AND DUCTILE CAST-IRON PIPING FOR WATER AND OTHER LIQUIDS, "ANSI/AWWA C105, CURRENT REVISION. SOILS WITHIN THE PROJECT SHALL BE TESTED IN ACCORDANCE WITH APPENDIX A OF ANSI/AWWA C105 TO ADEQUATELY DETERMINE THE REQUIREMENTS FOR ENCASEMENT.
2. IN ADDITION TO JOINT RESTRAINTS, CONCRETE THRUST BLOCK MAY ALSO BE UTILIZED TO PROPERLY RESTRAIN JOINTS.



PIPE DIAMETER	DIMENSION "Y"				DIMENSION "X"
	PLUGS & TEES	90° BENDS	45° BENDS	22 1/2° BENDS	
4" and 6"	1' - 0"	1' - 2"	----	----	TO BE A MINIMUM OF 1'- 0" OR AS REQ'D.
8"	1' - 3"	1' - 6"	1' - 3"	1' - 0"	
10"	1' - 9"	2' - 0"	1' - 6"	1' - 0"	
12"	2' - 0"	2' - 3"	1' - 9"	1' - 3"	
16"	2' - 7"	3' - 0"	2' - 3"	1' - 8"	
20"	3' - 3"	3' - 3"	2' - 9"	2' - 0"	



CONCRETE THRUST
BLOCK DETAIL

STANDARD CONSTRUCTION DETAILS

DATE: 07/20/21

REVISED
DATE: 07/20/21

WTR - 5